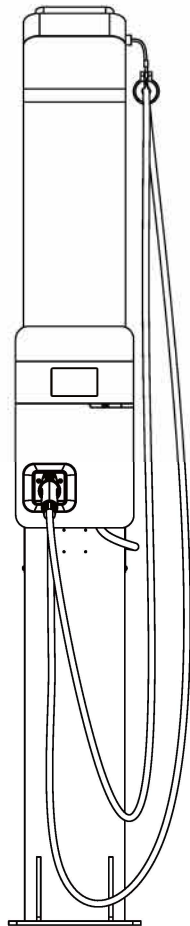


# Cable Management for Single Mount Pedestal

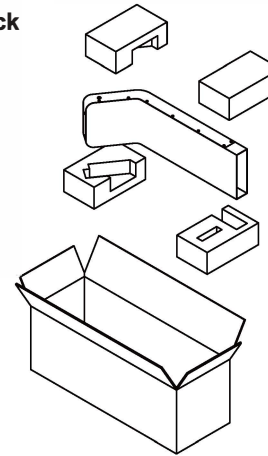
## Installation Instructions



## 1.Package list

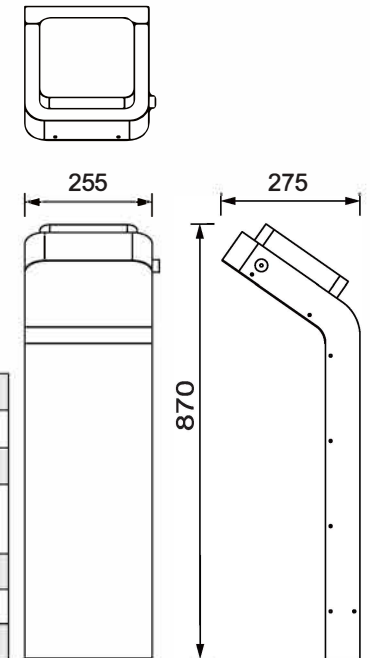
### STEP 1

Unpack



Item	Description	QTY.	Remark
1	Cable Management	1	
2	Accessory	1	
2.1	User manual	1	
2.2	T25	1	
2.3	M8x20L	2	
2.4	Cable clip	1	
2.5	Plastic-Ø18	1	
2.6	Plastic-Ø22	1	

### STEP 2



### Product Specification

Model Name	EVA/RET/88S
Dimensions (mm)	L255 x W275 x H870
Weight (kg)	12.5
Cable Outer diameter (mm)	18 & 22
Initial pull (kgf)	2~3
Stroke (M)	2.5
Wire diameter (mm)	3

## 2. Install cable management

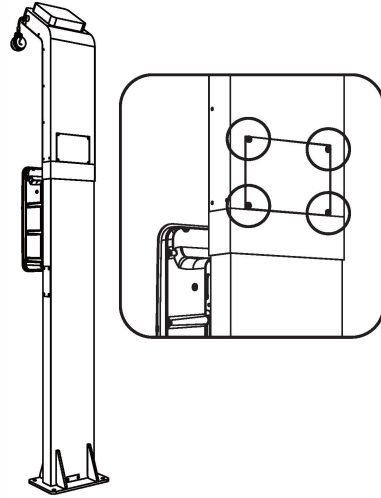
### STEP 1

Install Cable Management.



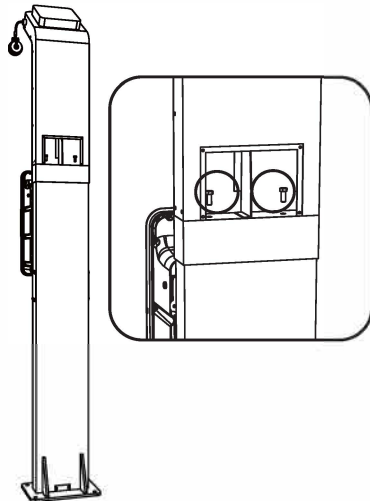
### STEP 2

Remove 4 M4X8L screws from the back cover.



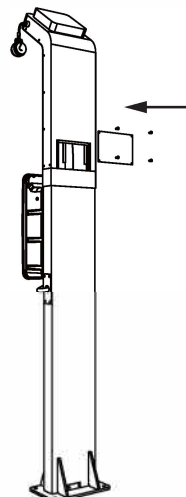
### STEP 3

Fasten 2~M8X20L.



### STEP 4

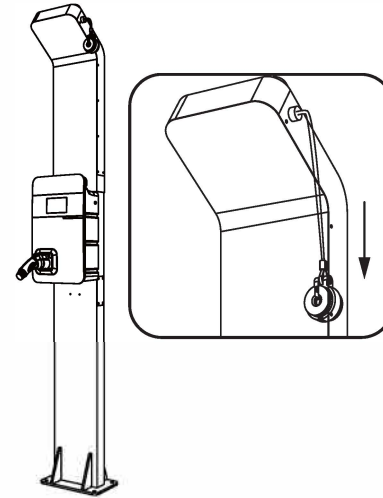
Screw the back cover.



## 3. Install the slinger ring

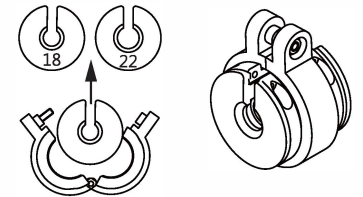
### STEP 1

Pull down the slinger ring to the proper height.(need to pause the steel rope to stop)

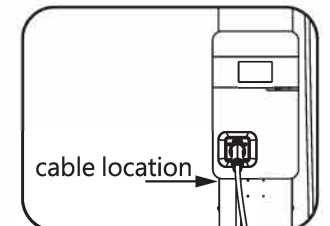


### STEP 2

1.Disassemble and select plastic 18 or 22 by referring the cable outer diameter.

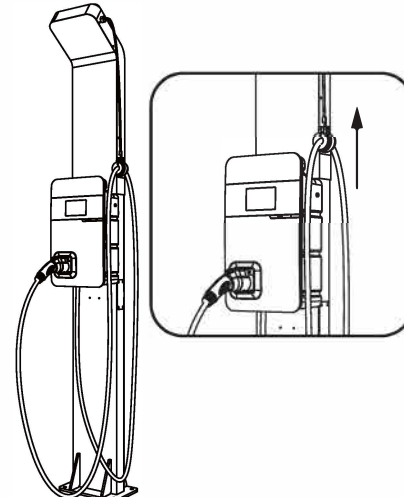


2.Lock the slinger ring 2.5m away from the outlet of the cable gun.



### STEP 3

Lock the slinger ring's cover inside then pull once to let the steel rope back.



### STEP 4

Insert EV plug back to the holder.

